

Basket Press

Gentle pressing solutions for the highest quality wines



Made in Australia

Renowned as one of the world's leading basket press manufacturers, Hypac design innovations include:

- Very small parcels of fruit can be pressed, regardless of press capacity
- Rugged, reliable construction
- Easy to use programmable control
- Minimal maintenance
- Range of options available to suit your needs

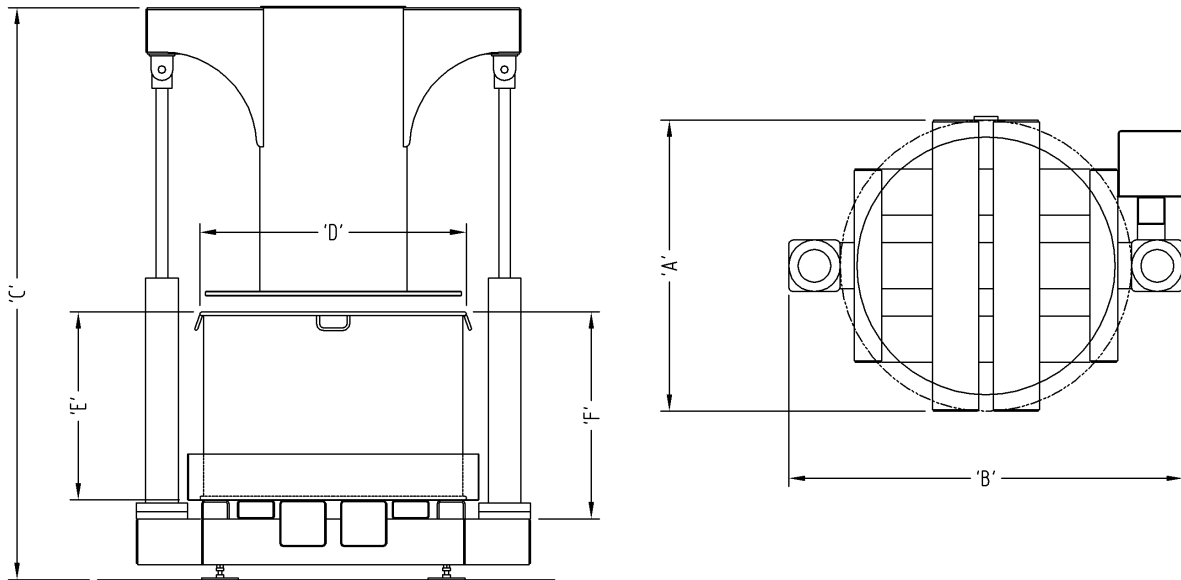
Hypac



Select the basket press that matches your ferment size

Model	Basket Capacity			Pan Capacity		Dimensions - cm/inches				
	Litres	Gallons	Tonnes*	Litres	Gallons	A	B	C	D	E
BP08	800	211	2.3	100	26	125/49"	173/68"	290/114"	100/39"	103/41"
BP10	1000	264	2.9	80	21	125/49"	173/68"	290/114"	105/41"	103/41"
BP16	1600	422	4.5	125	33	160/63"	214/84"	310/122"	140/55"	103/41"
BP21	2100	534	6	320	84	200/79"	263/104"	315/124"	160/63"	103/41"
BP25	2500	660	7	200	52	200/79"	263/104"	315/124"	175/69"	103/41"
BP30	3000	792	8.5	200	52	200/79"	273/108"	361/142"	175/69"	123/49"

*Approximate weight, subject to the variety and condition, of whole bunches, harvested for the ferment.



info@hypac.com.au
08 8249 9433

Kemp Deck Equipment
18-20 Shipwright Road
Largs North, 5016
South Australia, Australia

Alternative sizes, designs and other equipment are also available to meet your exact requirements.

These specifications may change because of our commitment to continuous improvement.

© Copyright Kemp Deck Equipment 2016

www.hypac.com.au



Hypac